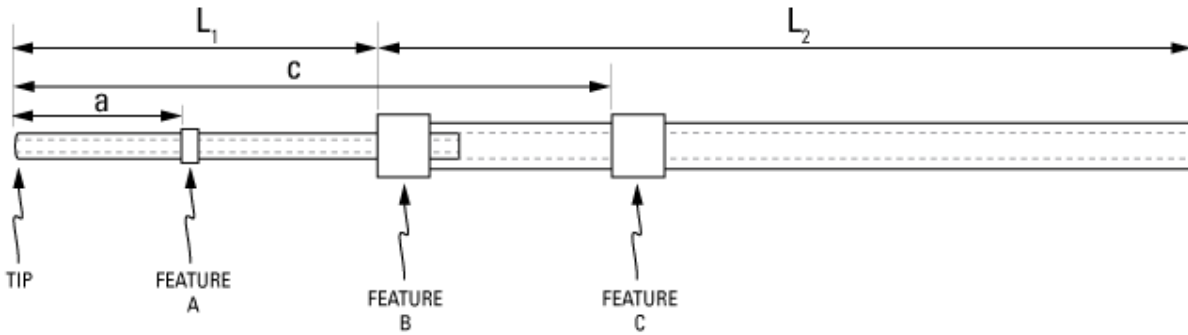


Part Number: **C19PU-RJV1633**



not to scale

Full Description: Catheter for rat jugular vein, PU 1.9-3Fr 16.5cm, collars @ 2.5, 5cm. Fits 22ga.

Unit: each **Pouch Desc:** Rat JVC 1.9-3Fr PU 16.5cm **Pouch:** 4x10

Approx Dead Vol: 40 μ L **Connects to:** 22ga **EO Sterilized:**

Intended Species: rat **Vessel:** jugular vein

Usage Notes: for small rats

TUBING

Tip: rounded *Length 1* *Length 2*
L1: 3.5 cm **L2:** 13 cm
Material (IDxOD): PU 1.9Fr (.31x.64 \pm .05mm) **Material (IDxOD):** PU 3Fr (.62x1.02 \pm .03mm)

FEATURES

<i>Distal (tip) end</i>		<i>Location</i>	<i>Fixed</i>
Feature A:	Small silicone collar for 2Fr (0.9mm OD), 1mm wide	a: 2.5 cm	<input type="checkbox"/>
Feature B:	Large silicone collar for 3Fr (1.7mm OD), 3mm wide	b: 3.5 cm	<input checked="" type="checkbox"/>
Feature C:	Large silicone collar for 3Fr (1.7mm OD), 3mm wide	c: 5.0 cm	<input type="checkbox"/>

<i>Proximal end</i>		<i>Location</i>	<i>Fixed</i>
Feature Z:		z: cm	<input type="checkbox"/>
Feature Y:		y: cm	<input type="checkbox"/>
Feature X:		x: cm	<input type="checkbox"/>

PARTS ADDED TO POUCH

Part 1: **Part 2:**