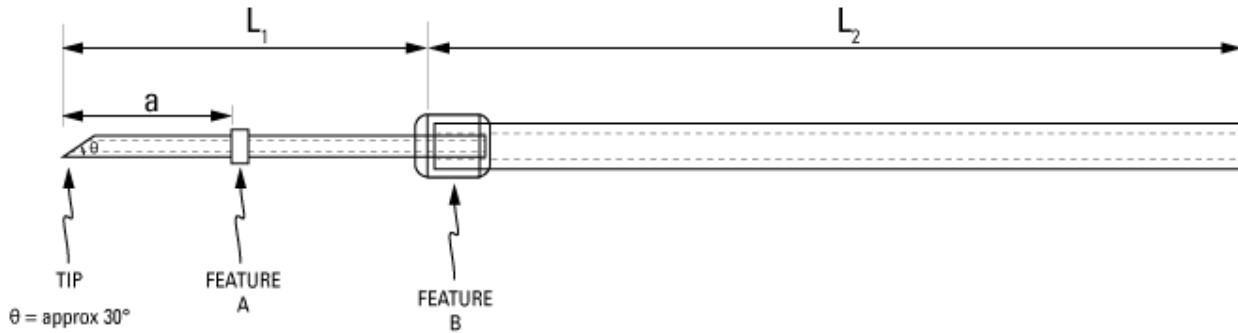


Part Number: **C10PUS-MFV1501**



*not to scale*

**Full Description:** Catheter for mouse femoral vein/artery, soft 1Fr to VAHBPU-T25, 53.5 cm, collar @ 2cm. Fits 25ga.

**Unit:** each **Pouch Desc:** Mouse FVC PU soft 1Fr 53.5cm **Pouch:** 4x10

**Approx Dead Vol:** 75  $\mu$ L **Connects to:** 25ga **EO Sterilized:**

**Intended Species:** mouse **Vessel:** femoral vein or artery

**Usage Notes:**

## TUBING

**Tip:** beveled **Length 1** **Length 2**  
**L1:** 3.5 cm **L2:** 50 cm  
**Material (IDxOD):** PU 1Fr soft (.18x.35 $\pm$ .05mm) **Material (IDxOD):** VAHBPU-T25 (.43x.94 $\pm$ .05mm)

## FEATURES

Distal (tip) end		Location	Fixed
Feature A:	Small silicone collar for 1Fr (0.6mm OD), 1mm wide	a: 2.0 cm	<input checked="" type="checkbox"/>
Feature B:	Large silicone collar for 3Fr (1.7mm OD), 3mm wide	b: 3.5 cm	<input checked="" type="checkbox"/>
Feature C:		c: cm	<input type="checkbox"/>
Proximal end			
Feature Z:		z: cm	<input type="checkbox"/>
Feature Y:		y: cm	<input type="checkbox"/>
Feature X:		x: cm	<input type="checkbox"/>

## PARTS ADDED TO POUCH

**Part 1:**  **Part 2:**