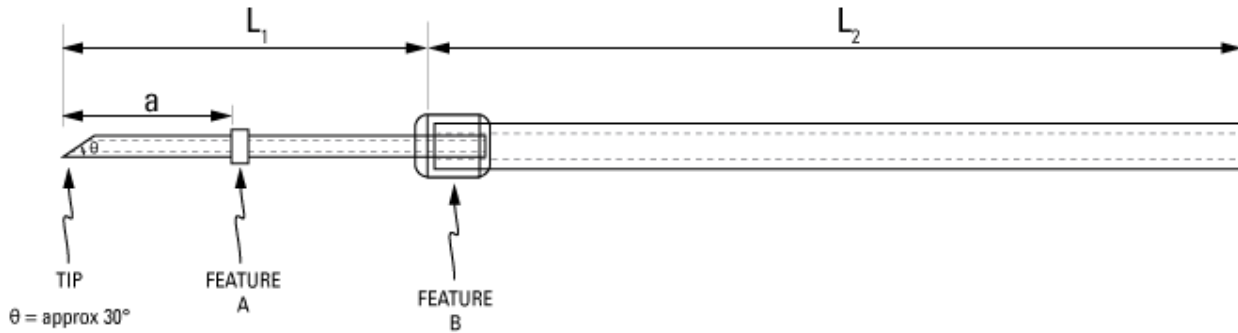


Part Number: **C10PU-MFV1407**



not to scale

Full Description: Catheter for mouse femoral vein/artery, 1Fr to VAHBPU-T25, 54.5cm, collar @ 2cm. Fits 25ga.

Unit: each **Pouch Desc:** Mouse FVC PU 1Fr 54.5cm **Pouch:** 4x10

Approx Dead Vol: 75 μ L **Connects to:** 25ga **EO Sterilized:**

Intended Species: mouse **Vessel:** femoral vein or artery

Usage Notes:

TUBING

Tip: beveled **Length 1** **Length 2**
L1: 4.5 cm **L2:** 50 cm
Material (IDxOD): PU 1Fr (.18x.35 \pm .05mm) **Material (IDxOD):** VAHBPU-T25 (.43x.94 \pm .05mm)

FEATURES

| Distal (tip) end | | Location | Fixed |
|------------------|----------------------------------------------------|-----------|-------------------------------------|
| Feature A: | Small silicone collar for 1Fr (0.6mm OD), 1mm wide | a: 2.0 cm | <input checked="" type="checkbox"/> |
| Feature B: | Large silicone collar for 3Fr (1.7mm OD), 3mm wide | b: 4.5 cm | <input checked="" type="checkbox"/> |
| Feature C: | | c: cm | <input type="checkbox"/> |
| Proximal end | | | |
| Feature Z: | | z: cm | <input type="checkbox"/> |
| Feature Y: | | y: cm | <input type="checkbox"/> |
| Feature X: | | x: cm | <input type="checkbox"/> |

PARTS ADDED TO POUCH

Part 1: **Part 2:**