

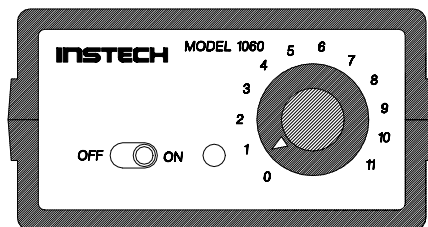
Miniature Stirrers

Stirring Controllers

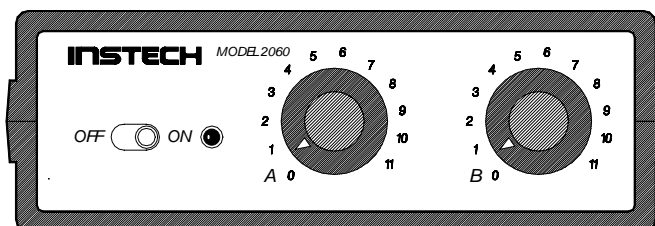
Instech's stirring controllers are used to control the speed of our miniature stirring systems. Each controller has an on/off switch, a power on LED, and a knob to precisely regulate the motor speed between 200 and 5000 RPM.

The controllers use unique "pseudo-tachometer" circuitry to maintain constant motor speed independent of load, and to prevent overshoot on start-up. The DC analog design minimizes electromagnetic interference, making them suitable for use near photomultipliers.

The controllers are available in one and two channel models.



1060



2060

Specifications

	1060	2060
Channels	1	2
Size	3.75" x 5.25" x 1.5"	5" x 5.25" x 1.5"
Power Adapter Included*	9V DC/120V AC	9V DC/120V AC

* 220V AC adapters are available for an additional charge.

Stirring Kits

Direct Stirrers for Spectrophotometer Cuvettes. Our direct stirring kits consist of one small motor, three spectrophotometer cell adapters of varying sizes, and five disposable polyethylene stirring blades. The stirrer mounts directly on top of the cuvette, requiring about 1 inch of clearance. Additions can be made to the cuvette without removing the stirrer with all but the tapered model.

Direct stirring has several advantages over magnetically-coupled stirring:

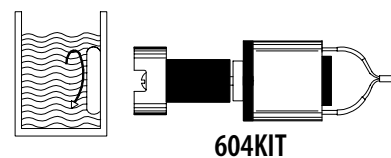
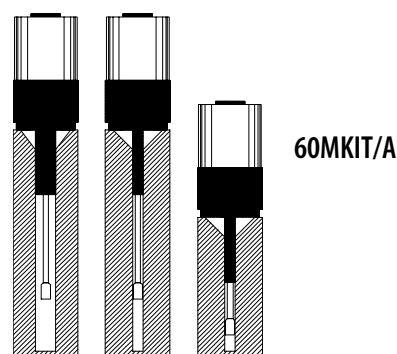
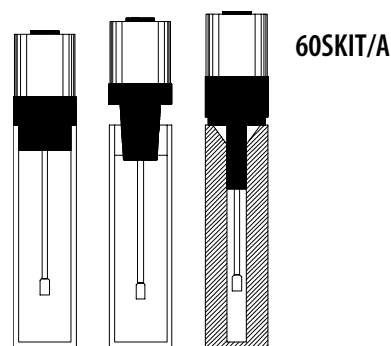
- The spectrophotometer does not need to be modified permanently
- The stirrers work well in thin micro-cuvettes
- The stirring blade won't grind delicate cell suspensions
- It will not uncouple at high speeds

We offer kits for standard cuvettes (60SKIT/A), and micro cuvettes (60MKIT/A). Stirring blades can be trimmed to fit different cuvettes and to avoid interference with the light beam.

The stirring speed should be controlled with an Instech motor speed controller. Using any other control source could damage the motor.

Miniature Magnetically-Coupled Stirring Kit. The 604KIT includes a 12mm motor/magnet assembly, a mounting clip, and a 2x7mm Teflon stir bar. It can be used with standard spectrophotometer cuvettes, Instech's 600 µl dissolved oxygen monitoring chamber, and many other custom applications.

It can be mounted horizontally or vertically, and should be controlled with an Instech Speed Controller.



	60SKIT/A	60MKIT/A	604KIT
Stirring Method	Direct	Direct	Magnetic stir bar
Parts Included	Motor assembly Square cell adapter Taper cell adapter Semi-micro cell adapter 5 stirring blades	Motor assembly Semi-micro cell adapter Micro-long cell adapter Micro-short cell adapter 5 stirring blades	Motor/magnet assembly Mounting clip Miniature stir bar